

BADU[®] Magna

Tried and tested for constant operation with high performance and flexibility.
For medium-size and above ground pools or smaller swimming ponds.

Field of application

Swimming pool water circulation through a filter system.
The pump can be installed max. 3 m above or below water level.

Design

Monoblock-type pump with integrated strainer tank.
The bellow-type mechanical seal is mounted on a plastic shaft protector sleeve.
Motor/pump shaft has no contact with the poolwater providing complete electrical separation.
Strainer tank capacity approx. 3 l
Strainer basket mesh size approx. 3.2 x 2.6 mm

Materials used

Pump housing PP TV 20
Intermediate housing PP TV 40
Gland housing PP TV 40
Diffuser PP TV 40
Impeller PPE GF 30
Strainer basket PP
Lid PC, transparent/PA 66 GF 30
Mechanical seal carbon/ceramic/NBR
Screws galvanised steel
Elastomers NBR

Technical data at 50 Hz	BADU Magna	8	12	14
Inlet Sa/outlet connection Da Rp ²⁾		2/1½	2/1½	2/1½
Rec. inlet/outlet pipe, PVC pipe, d ⁴⁾		50/50	50/50	63/50
Power input P ₁ /output P ₂ ¹⁾ (kW)	1~ 230 V	0.58/0.30	0.69/0.45	0.97/0.65
Rated current (A)	1~ 230 V	2.60	3.20	4.70
Efficiency class		D	D	D

For more detailed information regarding the motor protection please see page 149.

Technical data may vary.

Article no	Description	Voltage	Power output P ₂	Net RRP	Gross RRP ⁷⁾
219.0088.038	BADU Magna 8	1~ 230 V	0.30 kW	451.88 €	537.74 €
219.0128.038	BADU Magna 12	1~ 230 V	0.45 kW	484.85 €	576.97 €
219.0148.038	BADU Magna 14	1~ 230 V	0.65 kW	515.85 €	613.86 €

Sickle opening device included in delivery. See page 138.



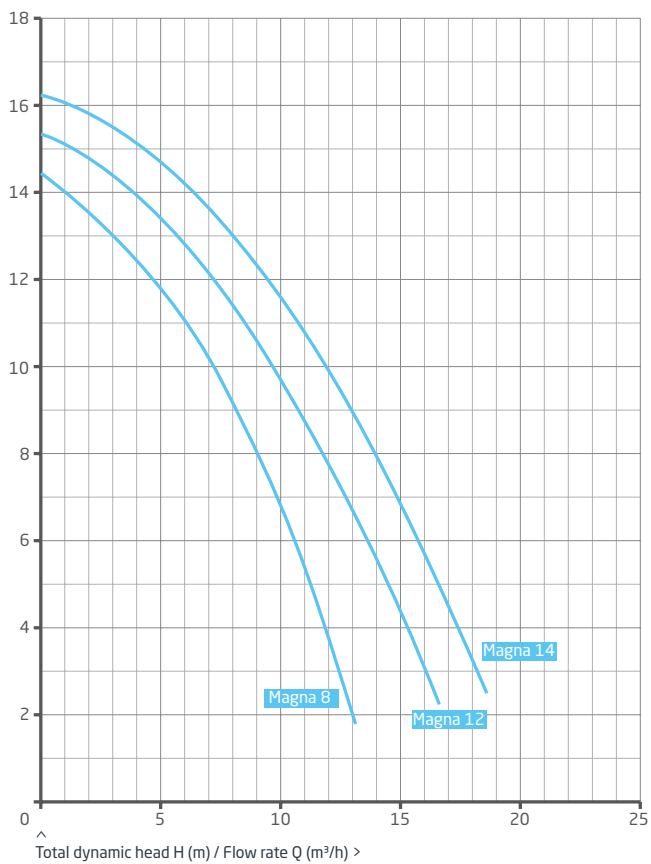
Circulation pumps, self-priming



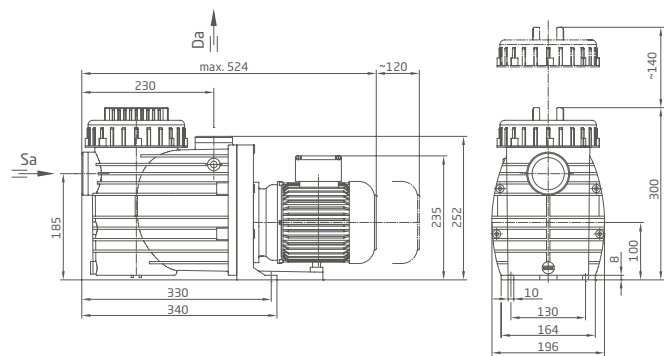
www.tuv.com
ID 0000021507



Characteristics



Dimensions



Detailed dimensions available on request or at badu.de